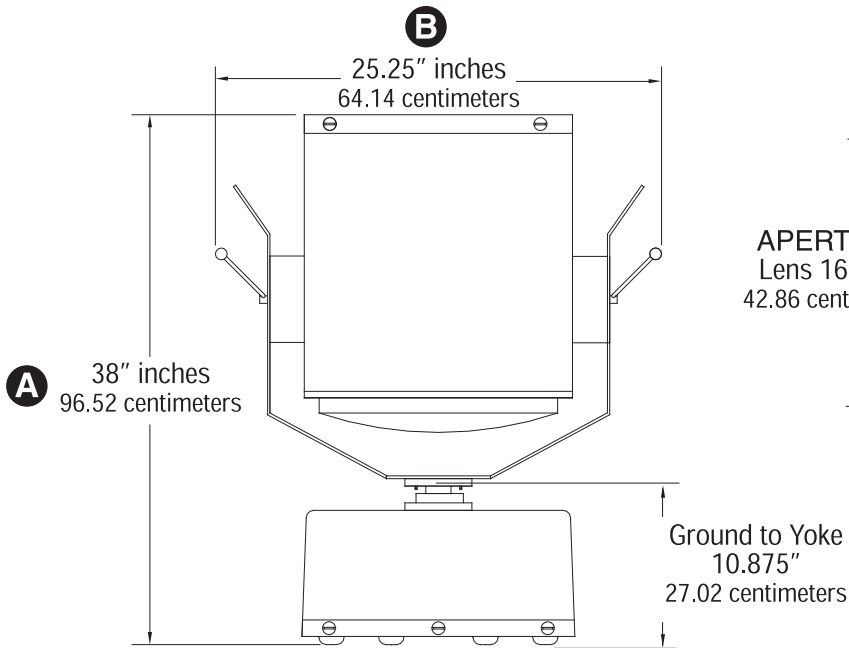


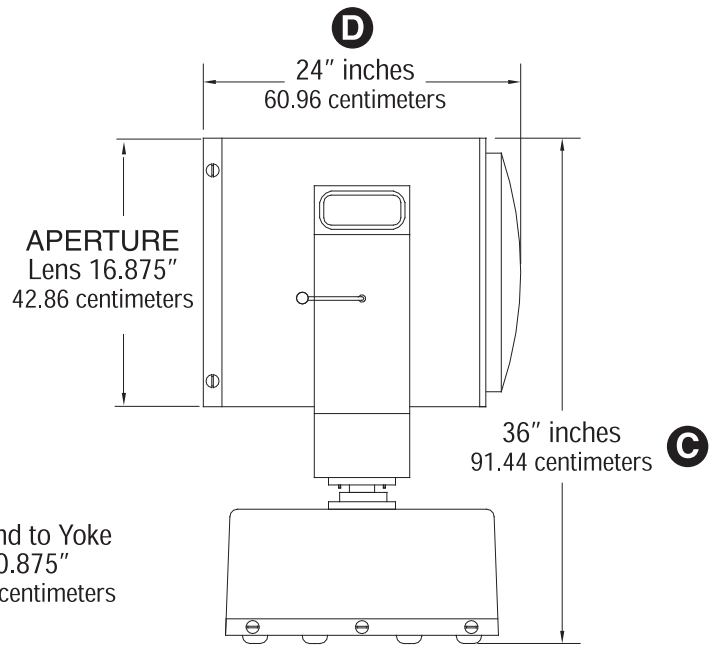
AD-Light[®]

SPECIFICATIONS

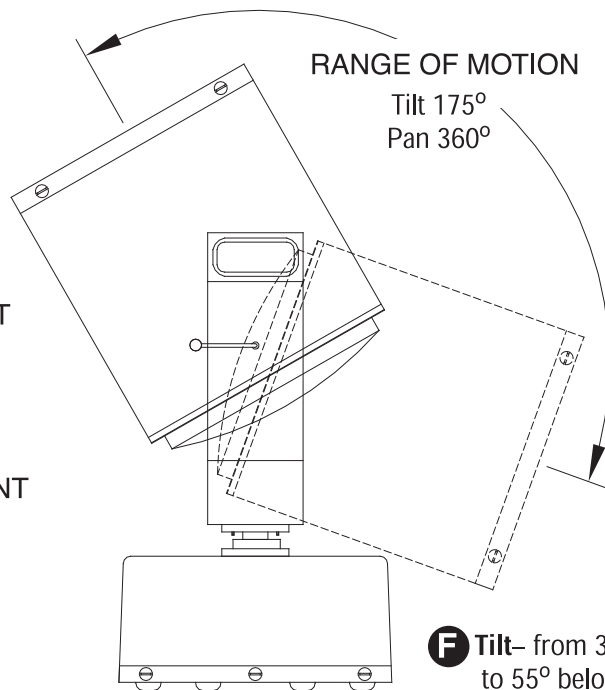
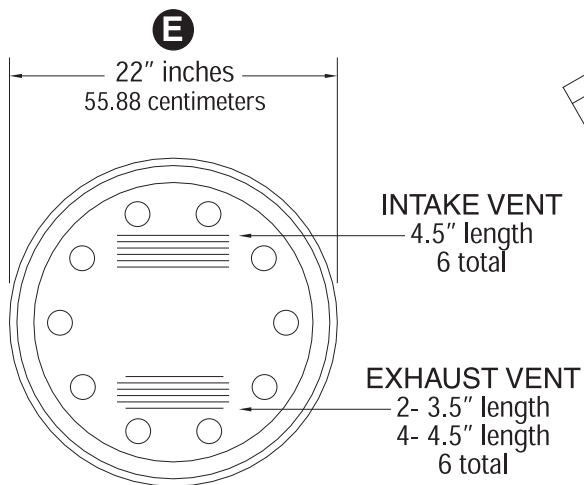
BEAM IN VERTICAL POSITION



BEAM IN HORIZONTAL POSITION



BASE FOOTPRINT OF FIXTURE



F Tilt- from 30° past vertical to 55° below horizontal

G Pan- continuous 360° rotation